



FAG

**32032-X-XL**

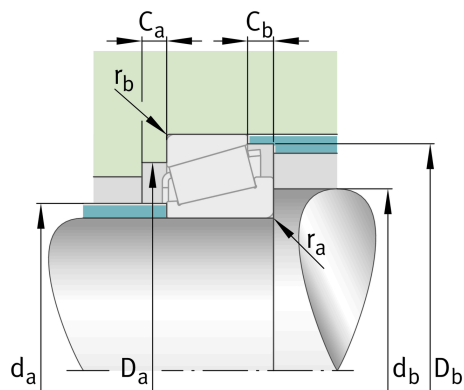
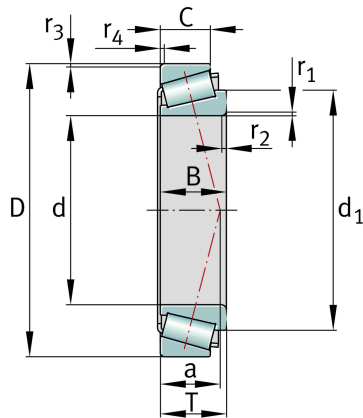
Tapered roller bearing

Schaeffler ID:  
0839523570000

Tapered roller bearings 320, main dimensions to DIN ISO 355 / DIN 720, separable, adjusted or in pairs

X-life

## Technical information

**Main Dimensions & Performance Data**

d	160 mm	Bore diameter
D	240 mm	Outside diameter
B	51 mm	Width, inner ring
C	38 mm	Width, outer ring
T	51 mm	Width, total
$C_r$	500,000 N	Basic dynamic load rating, radial
$C_{0r}$	740,000 N	Basic static load rating, radial
$C_{ur}$	104,000 N	Fatigue load limit, radial
$n_G$	3,300 1/min	Limiting speed
$n_{gr}$	1,850 1/min	Thermal speed rating
	7.779 kg	Weight

**Dimensions**

$r_{1,2 \text{ min}}$	3 mm	Minimum chamfer dimension of inner ring back face
$r_{3,4 \text{ min}}$	2.5 mm	Minimum chamfer dimension of outer ring back face
a	53 mm	Distance between the apexes of the pressure cones
$d_1$	200.4 mm	Guidance rib diameter of inner ring

### Mounting dimensions

$d_{a \max}$	175 mm	Maximum diameter of shaft shoulder
$d_{b \min}$	172 mm	Minimum diameter of shaft shoulder
$D_{a \min}$	213 mm	Minimum diameter of housing shoulder
$D_{a \max}$	228 mm	Maximum diameter of housing shoulder
$D_{b \min}$	231 mm	Minimum diameter of housing shoulder
$C_{a \min}$	8 mm	Minimum axial space
$C_{b \min}$	13 mm	Minimum axial space
$r_{a \max}$	3 mm	Maximum fillet radius of shaft
$r_{b \max}$	2.5 mm	Maximum fillet radius of housing

### Calculation factors

	T4EC160	Comparative designation to ISO 10317 and ISO 355
$e$	0.46	Limiting value of $F_a/F_r$ for the applicability of diff. Values of factors X and Y
$Y$	1.31	Dynamic axial load factor
$Y_0$	0.72	Static axial load factor

### Temperature range

$T_{\min}$	-30 °C	Operating temperature min.
$T_{\max}$	200 °C	Operating temperature max.